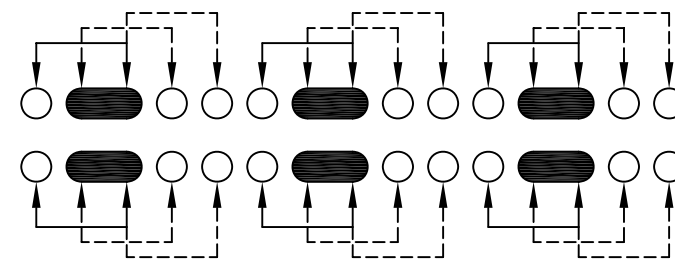
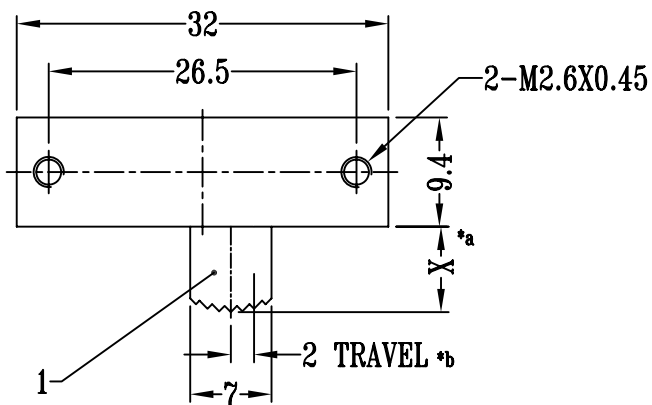
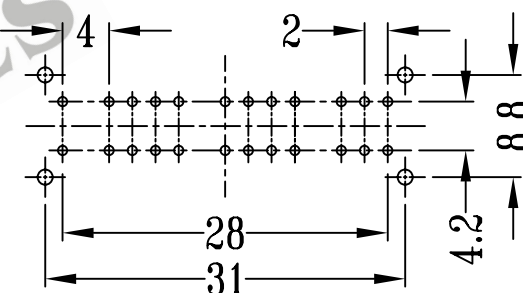
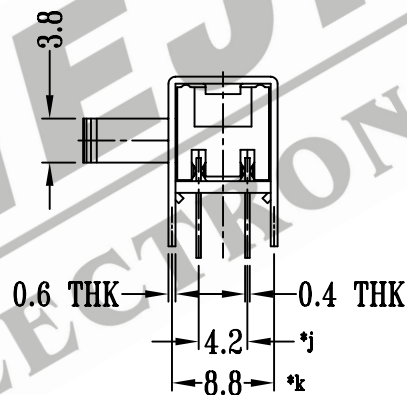
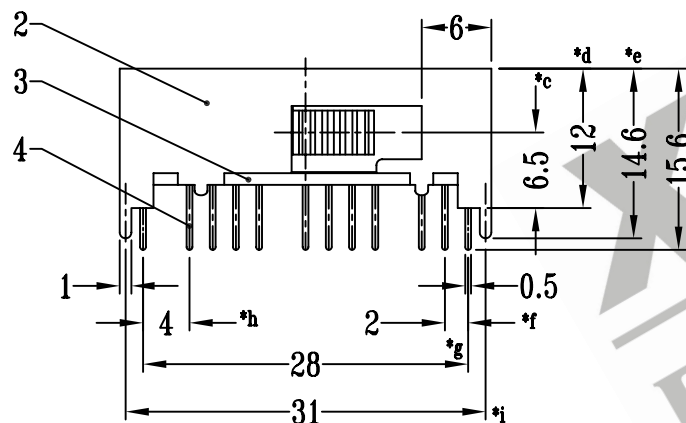


CAD FILE:



SCHEMATIC (SHORTING)



P.C.B LAYOUT

注:带*表示关键尺寸(11个)

NO.	PARTS	MATERIALS	Q'TY	FINISH	TOLERANCE UNLESS SPECIFIED	SHENZHEN XIEJIA ELECTRONICS CO.,LTD.				
8										
7	STEEL BALL	STEEL	1	NATURAL						
6	SPRING	STEEL WIRE	1	TEMPER						
5	CONTACT CLIP	PBS STRIP	6	Ag PLATED	WITHIN: 1.5±0.1mm OVER: 1.5±0.2mm	ISSUE	DATE	DESCRIPTIONS OF REVISION		APPD.
4	TERMINAL	BRASS STRIP	24	Ag PLATED OVER Ni PLATED	TITLE: HORIZONTAL SLIDE SWITCH	UNIT: mm		DRWG NO.: XJ-DR-SK63D11-00		
3	BASE	PHENOLIC RESIN	1	NATURAL	MODEL: SK-63D11	SCALE: 3:2		DWN.	ZHOUYU	2004-9-5
2	FRAME	STEEL STRIP	1	Ni PLATED	ALL MATERIALS MUST BE COMPLIANT TO ROHS		CHK'D	FANGYING	2004-9-5	
1	KNOB	POM	1	BLACK			APPD.	KANGXINAN	2004-9-5	